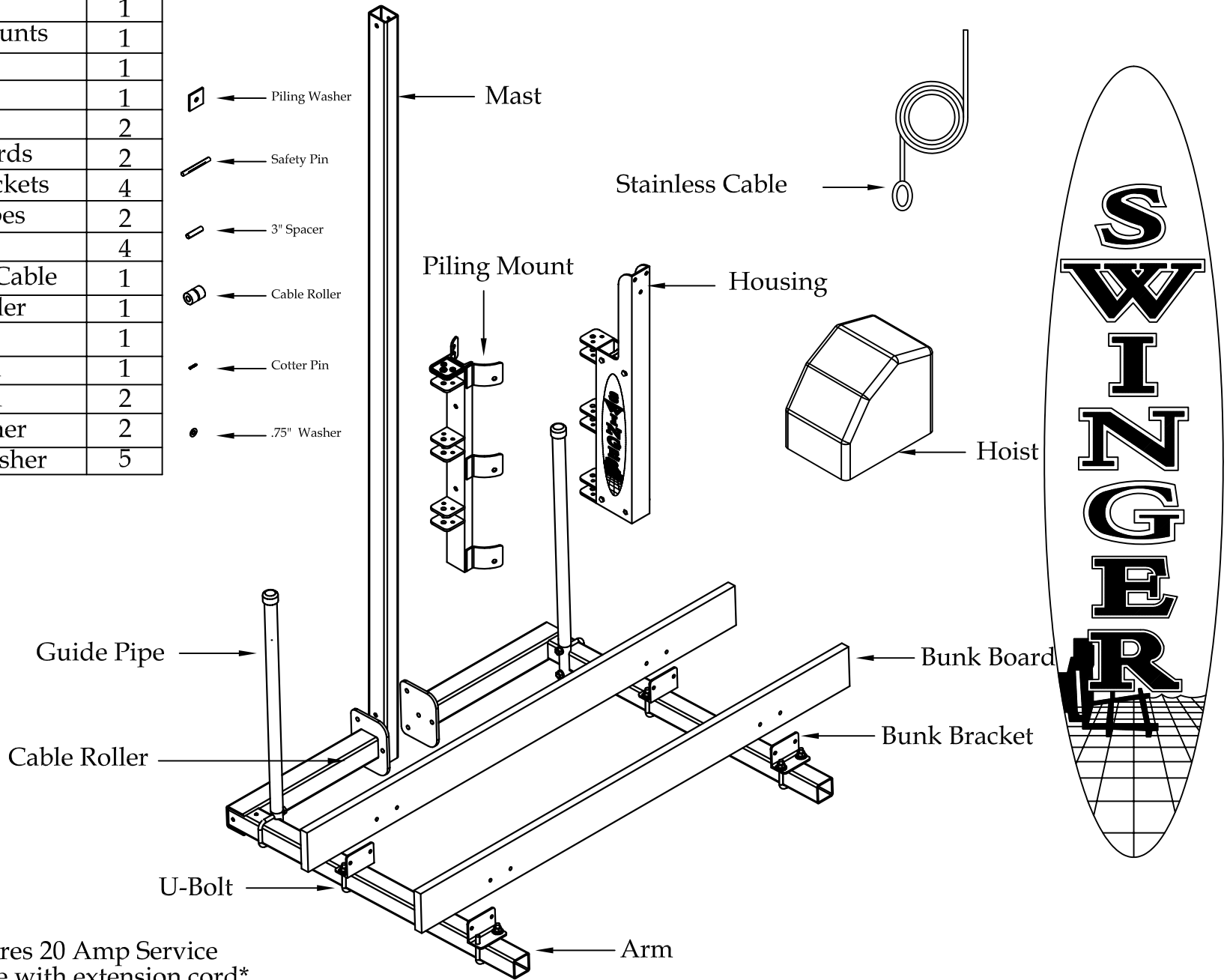


1500# SWINGER PILING MOUNT PART BREAKDOWN

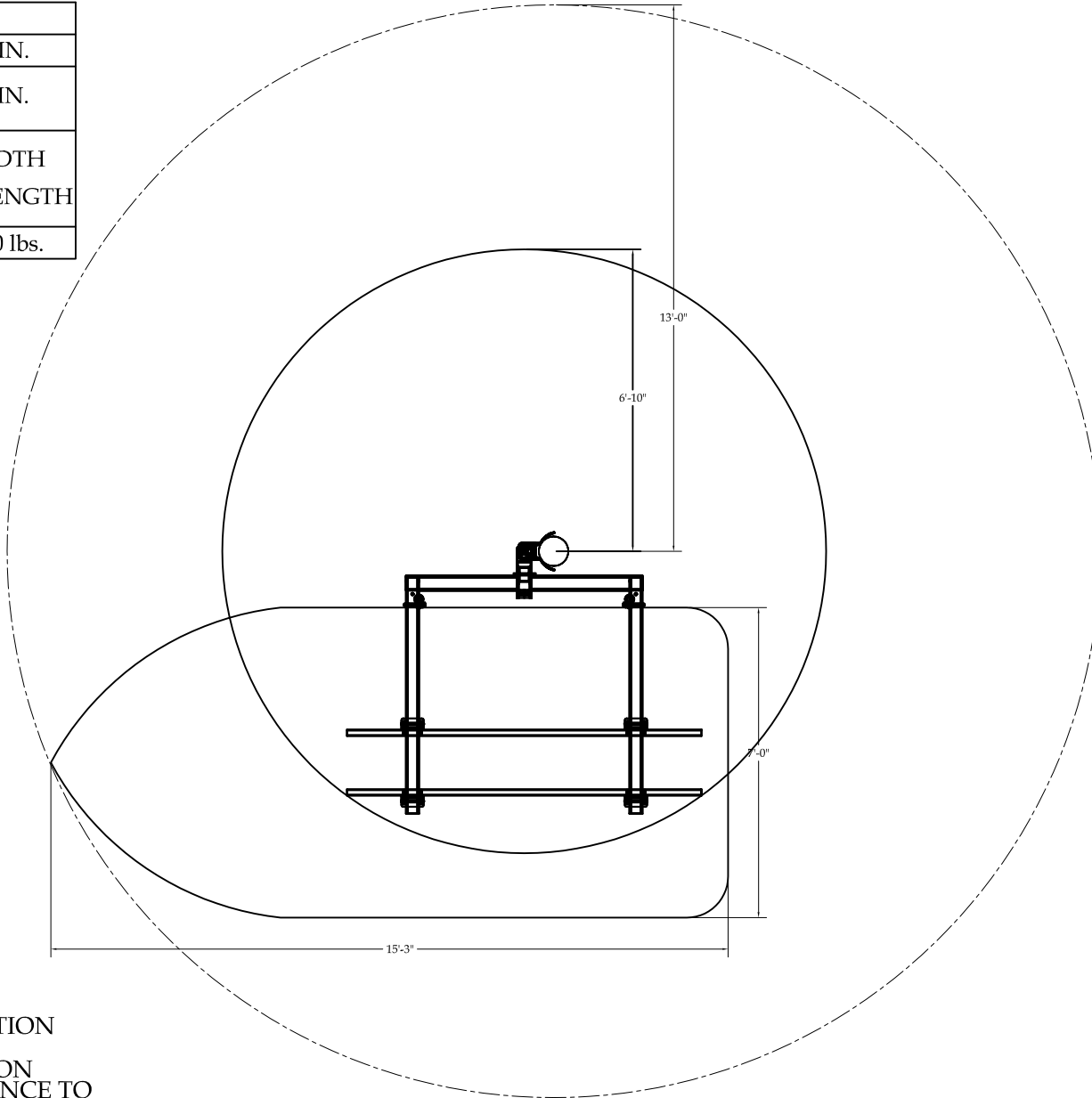
	Description	QTY
1.	Housing	1
2.	Piling Mounts	1
3.	Hoist	1
4.	Mast	1
5.	Arms	2
6.	Bunk Boards	2
7.	Bunk Brackets	4
8.	Guide Pipes	2
9.	U-Bolts	4
10.	Stainless Cable	1
11.	Cable Roller	1
12.	3" Spacer	1
13.	Safety Pin	1
14.	Cotter Pin	2
15.	.75" Washer	2
16.	Piling Washer	5



Note: Requires 20 Amp Service
 Do not operate with extension cord

INFORMATION SHEET

LIFT SPECIFICATIONS	
PILING DIAMETER	10" MIN.
PILING HEIGHT ABOVE SURFACE	42" MIN.
MAXIMUM WIDTH AND LENGTH WATERCRAFT	84" WIDTH 192" LENGTH
MAXIMUM WEIGHT	1500 lbs.



WHEN CHOOSING LOCATION FOR YOUR LIFT, MAKE SURE THE LOCATION HAS ADEQUATE CLEARANCE TO ROTATE YOUR WATERCRAFT. REFER TO THE ILLUSTRATION FOR THE MINIMUM CLEARANCE REQUIREMENTS FOR YOUR PERSONAL WATERCRAFT.

STEP 1: SWINGER PILING MOUNT INSTALLATION

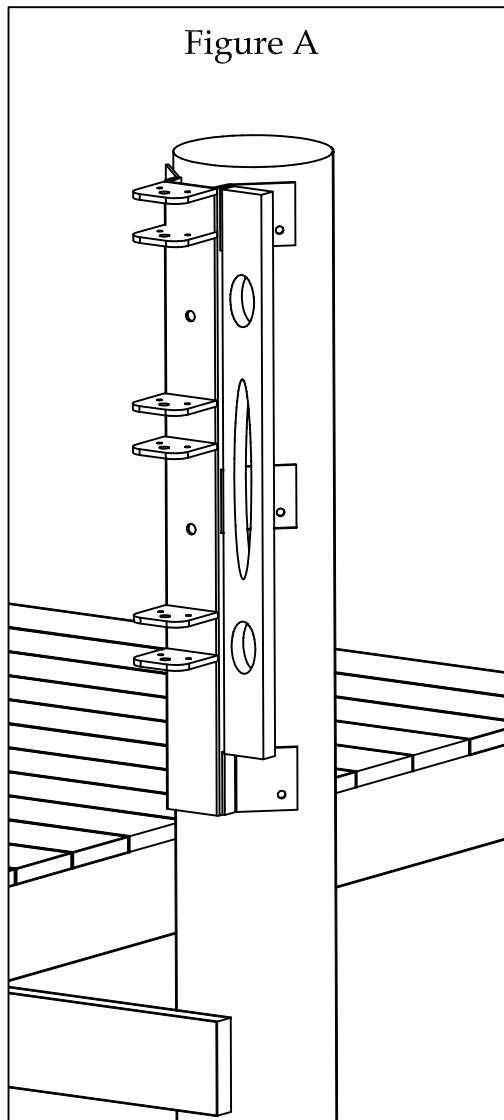
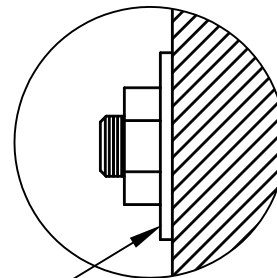


Figure A

1. The first step in installing your lift is attaching the piling mount to the piling. You will need a 5/8" drill bit, 5 bolts (5/8" diameter and 2" min. longer than your piling diameter), 2 bolts (min. of 4" longer than your piling diameter) and wrenches to fit the 5/8" bolts.
2. Your piling height should be a min. of 43" from the decking surface. (AS SHOWN IN FIGURE C)
3. The piling mount bracket has one end with the channel extending below the hinge bracket. That is the bottom of the piling mount. The bottom of the swivel hinge should be 12" from the decking or surface that the lift will be rotating over. (AS SHOWN IN FIGURE A)
4. Place the piling mount against the piling, use a level to get the piling mount square and plumb on the piling. (AS SHOWN IN FIGURE A) After you achieve this, mark the 2 holes in the front of the channel for drilling."Do not mark the six holes in the ears yet"
5. Remove the piling mount and drill the hole as straight as possible with a 5/8" diameter drill bit.
6. Then attach the piling mount to the piling using (2) 5/8" bolts 4" (min.) longer than the piling diameter. (Not included)
7. After attaching piling with (2) 5/8" bolts, square and plumb piling mount into place. (2X4 shims may be needed to accomplish this.)
8. After acheiving step 7, mark the six remaining holes in the piling ears and drill with $\frac{5}{8}$ " diameter drill.



3"X3"X1/4" SQUARE WASHER

Figure B

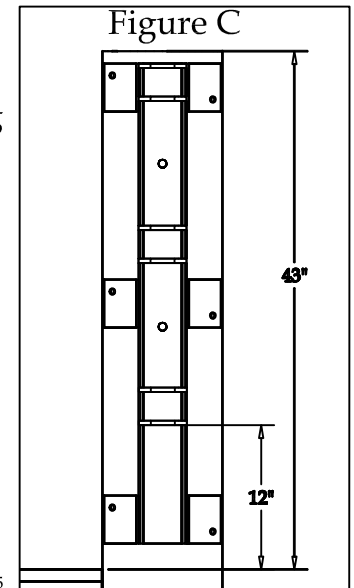
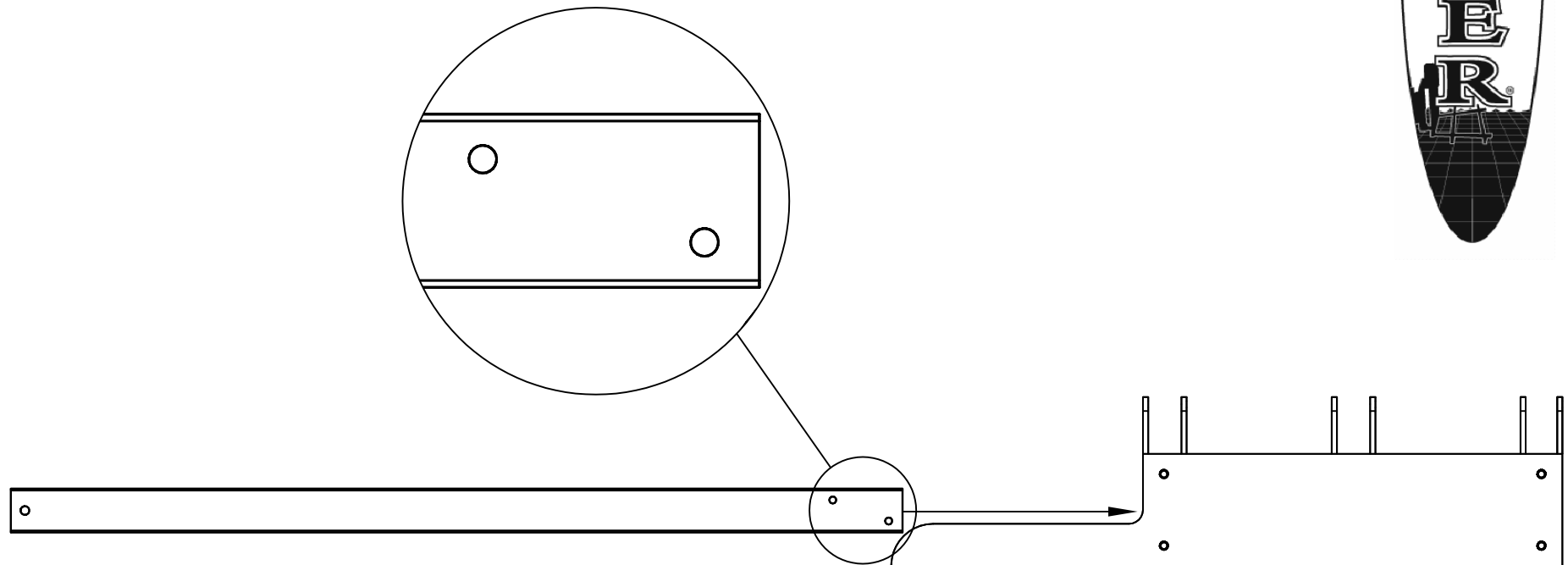


Figure C

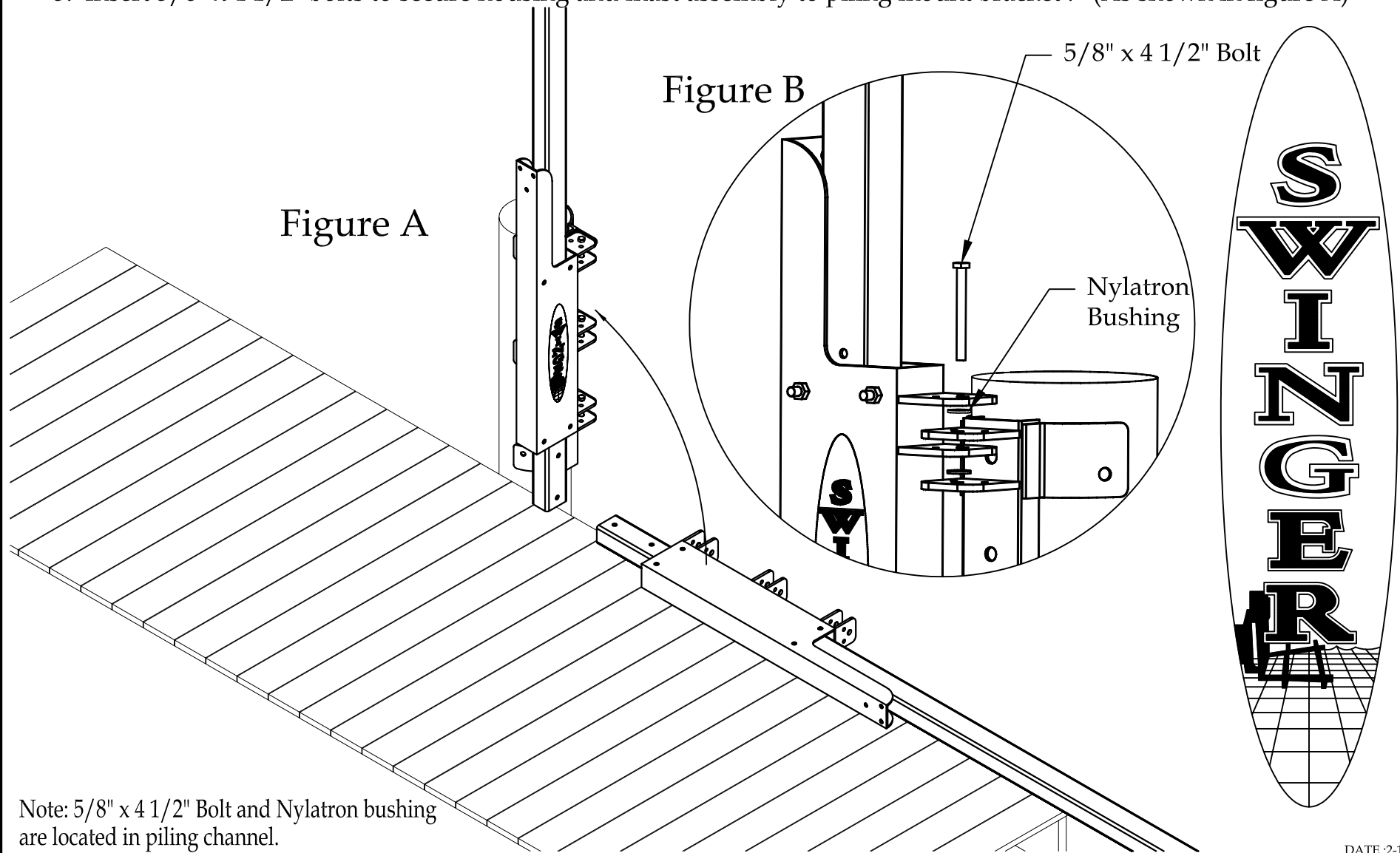
STEP 2: MAST INSERTION

1. Insert the mast into the top of the housing making sure that the two holes in the bottom of the mast are oriented as shown in the illustration below.
2. The two holes in the bottom of the mast are offset to provide counterlever support when the arms are attached and the load of the watercraft is applied.



STEP 3: MAST INSTALLATION

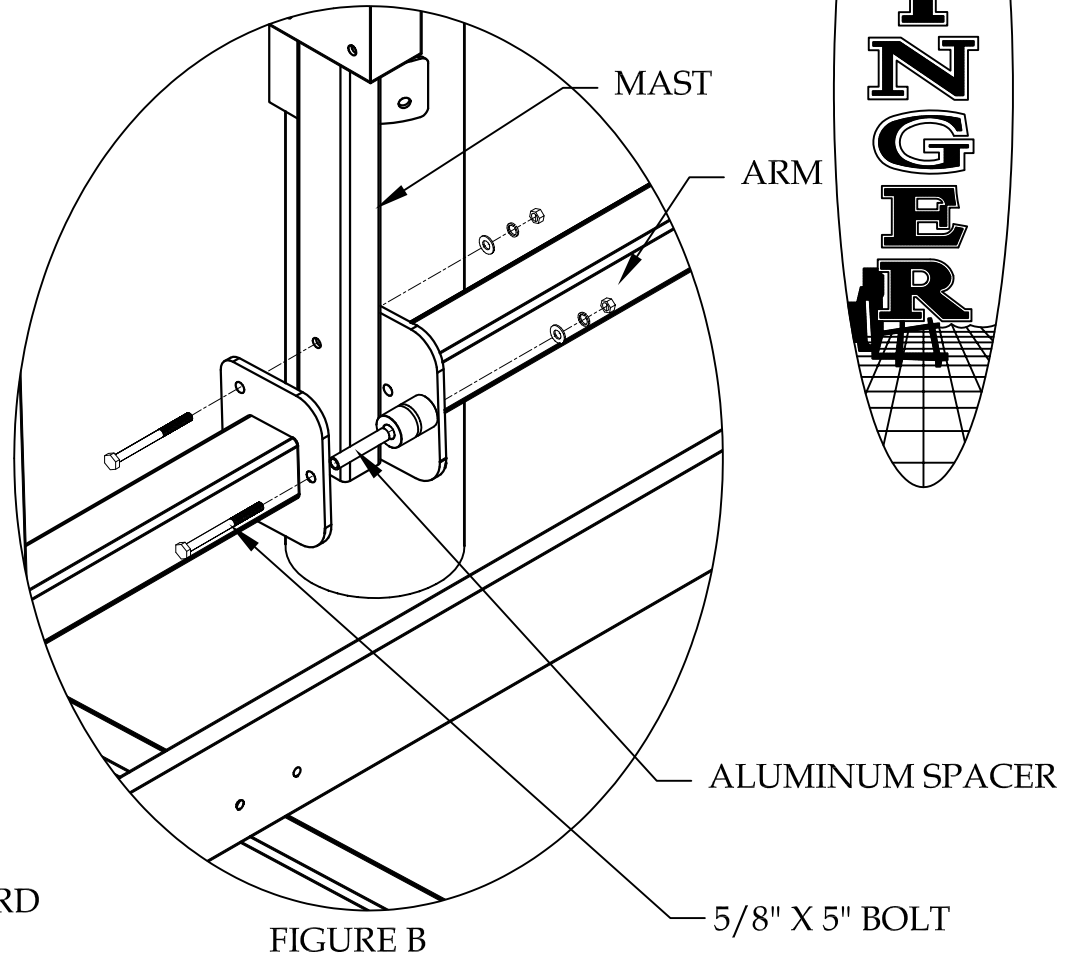
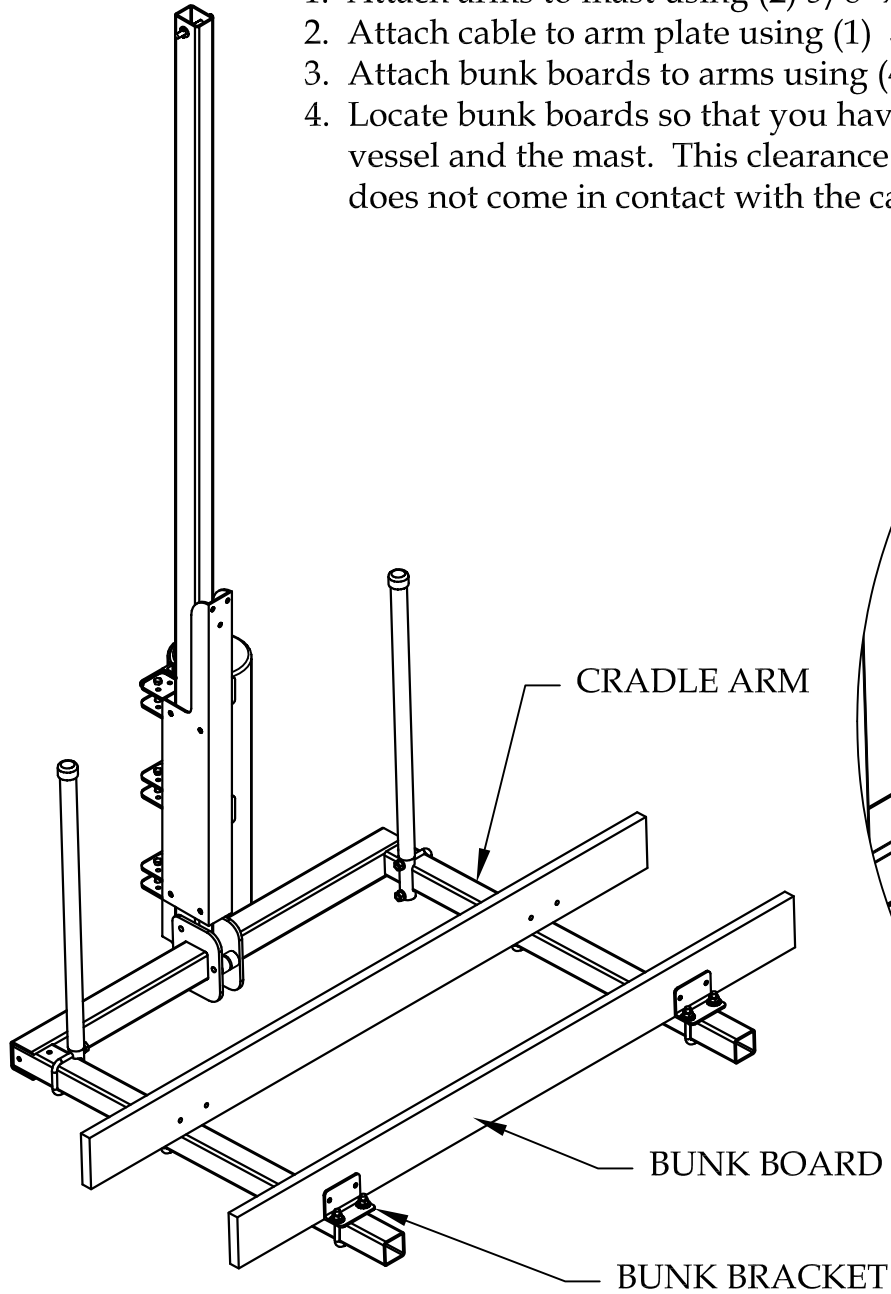
1. Position housing close to piling mount bracket, attached to piling.
2. Stand housing and mast assembly upright. (As shown in figure B)
3. Align swinger brackets on the housing above swinger brackets on the piling mount. (As shown in figure A)
4. Separate piling mount swivel hinges from housing swivel hinges using supplied nylatron bushing. (As shown in figure A)
5. Insert $5/8" \times 4 1/2"$ bolts to secure housing and mast assembly to piling mount bracket. (As shown in figure A)



Note: $5/8" \times 4 1/2"$ Bolt and Nylatron bushing are located in piling channel.

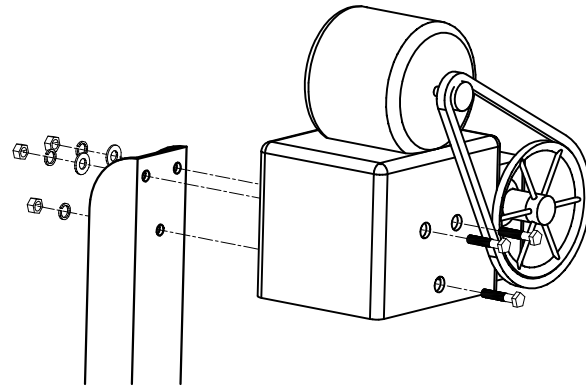
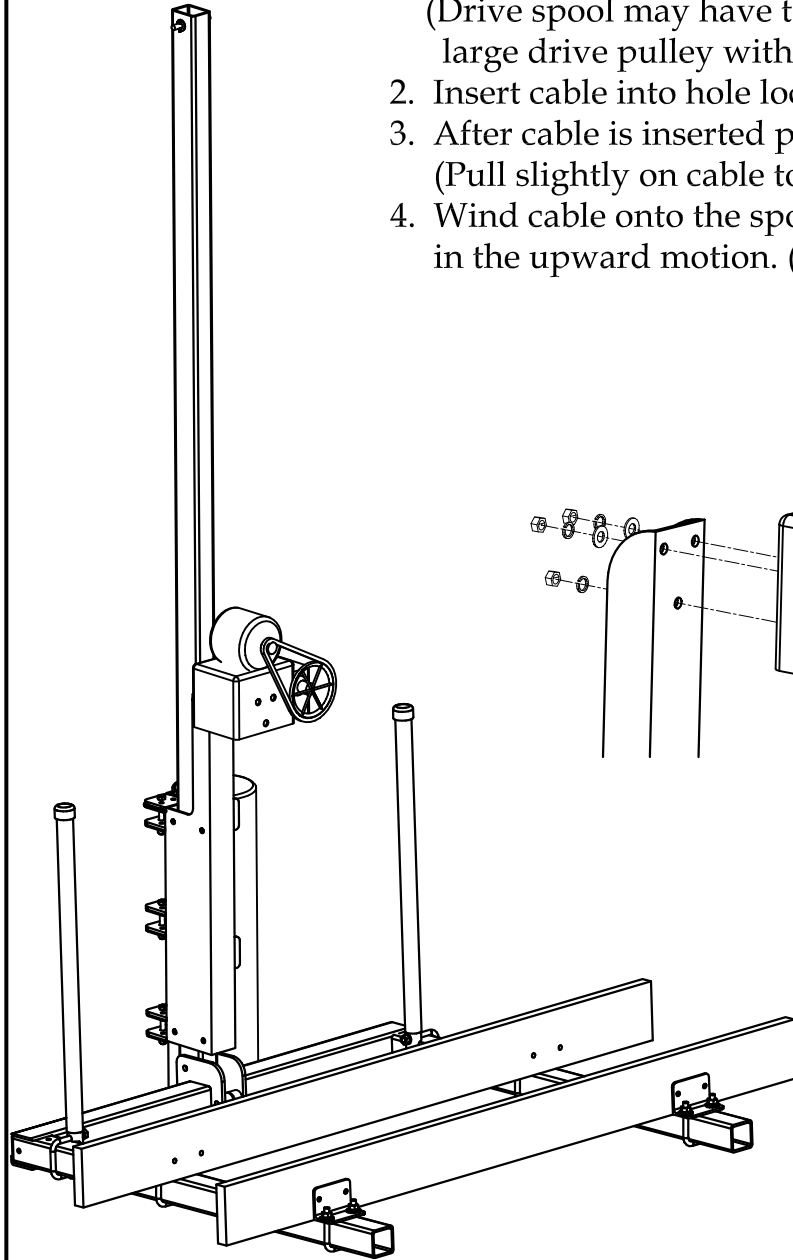
STEP 4: ARM & BUNK ASSEMBLY

1. Attach arms to mast using (2) 5/8" x 5" bolts, lockwasher, and nut.
2. Attach cable to arm plate using (1) 5/8" x 5" bolt and spacer. (As shown in figure B)
3. Attach bunk boards to arms using (4) u-bolts and bunk board brackets.
4. Locate bunk boards so that you have 5" (minimum) clearance between your vessel and the mast. This clearance is needed to ensure that your vessel does not come in contact with the cable as it is lifted vertically.

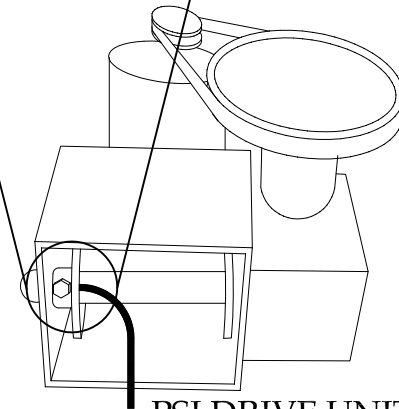
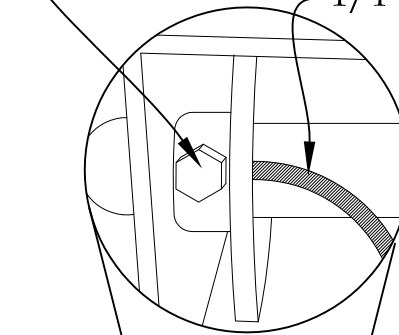


STEP 5: HOIST & CABLE ASSEMBLY

1. Attach cable to PSI drive unit by loosening set screw located in drive spool.
(Drive spool may have to be rotated before loosening. To rotate drive spool rotate large drive pulley with your hand until the spool is in the desired location.)
2. Insert cable into hole located to the inside of the drive spool.
3. After cable is inserted past the set screw, tighten set screw onto cable.
(Pull slightly on cable to ensure cable is secure)
4. Wind cable onto the spool by keeping tension on the cable and running drive in the upward motion. (Be sure cable is wrapped neatly on the cable spool.)



HEX BOLT USED
TO SECURE CABLE
1/4" CABLE



PSI DRIVE UNIT

